

Product data sheet

Hinged seat Comfort White Edition 802.51.W210

HEWI

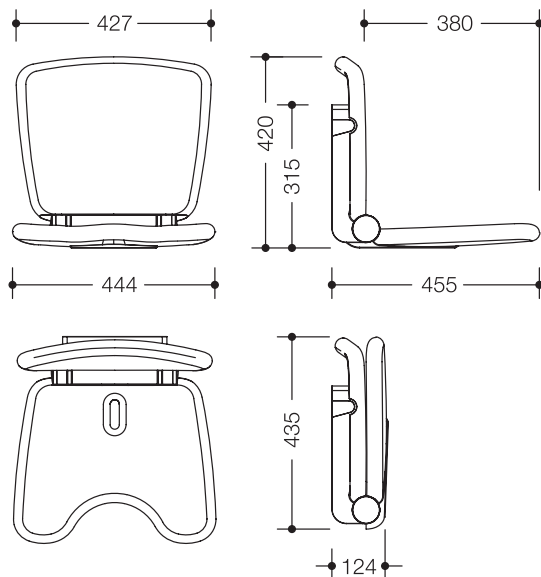


Hinged seat Comfort White Edition 802.51.W210

- ergonomically shaped seat with backrest
- used for safe sitting in the shower area
- seat weight capacity up to 150 kg
- seat easy to fold up and down (locks in upper position)
- space saving
- 444 mm wide, 420 mm high, 455 mm deep
- seat 444 mm wide, 380 mm deep
- seat height adjustable to four levels from 420 mm to 510 mm (every 30 mm)
- easy to install due to separate fixing of HEWI wall plate and seat
- concealed, non-corrosive HEWI fixing material for different wall systems
- seat and backrest made of high-quality PUR in the two HEWI colours 98 (signal white) and 99 (pure white)
- seat with hygienic opening and water run-off
- hinge made of white powder-coated aluminium with highly polished chrome design features
- armrests can be retrofitted
- CE marking according to Directive 93/42 / EEC
- fulfils the DIN 18040, ÖNORM B1600/1601 and SIA 500 requirements



Dimensions in mm



Surfaces/Colour

chrome	98	99
--------	----	----

Alternative surfaces/colours

chrome	97	92
--------	----	----

Technical information subject to alteration, 16th August 2019

HEWI Heinrich Wilke GmbH
Postfach 1260
D-34442 Bad Arolsen

Telefon: +49 5691 82-366
Telefax: +49 5691 82-99366
international@hewi.com
www.hewi.com

HEWI (UK) Limited
Holm Oak Barn, Beluncle Halt
Stoke Road
Hoo Kent ME3 9NT

Phone +44 1634 258 200
Fax +44 1634 250 099
info@hewi.co.uk
www.hewi.com