

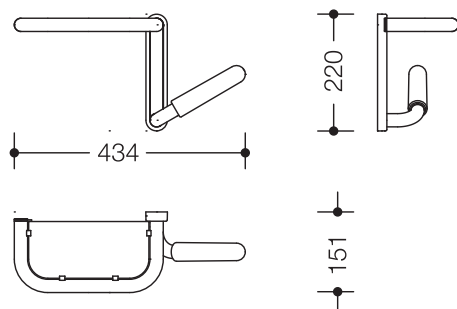


### Mirror shelf White Edition 802.03.W110L

- chrome-plated mirror shelf with all-round edging and firmly fitted, break proof synthetic material shelf
- used for support, for standing up independently and for holding accessories
- with integrated support rail
- 30° position of the support rails on delivery, adjustable on site
- left-hand version
- 434 mm wide, 220 mm high, 151 mm deep
- shelf surface in matt white synthetic material
- frame made of chrome-plated aluminium with powder coated, white design features
- grip made of pleasant to touch polyamide in HEWI colours 98 (signal white) and 99 (pure white)
- CE marking according to Directive 93/42 / EEC
- including non-corrosive HEWI fixing material



### Dimensions in mm



### Surfaces/Colour

chrome	98	99
--------	----	----

Technical information subject to alteration, 16th August 2019

HEWI Heinrich Wilke GmbH  
Postfach 1260  
D-34442 Bad Arolsen

Telefon: +49 5691 82-366  
Telefax: +49 5691 82-99366  
international@hewi.com  
www.hewi.com

HEWI (UK) Limited  
Holm Oak Barn, Beluncle Halt  
Stoke Road  
Hoo Kent ME3 9NT

Phone +44 1634 258 200  
Fax +44 1634 250 099  
info@hewi.co.uk  
www.hewi.com