

Product data sheet

Mirror shelf White Edition 802.03.W100

HEWI

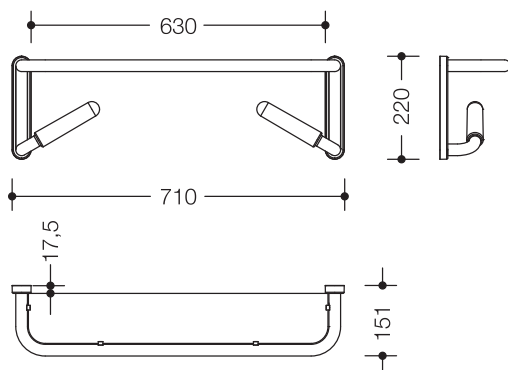


Mirror shelf White Edition 802.03.W100

- chrome-plated mirror shelf with all-round edging and firmly fitted, break proof synthetic material shelf
- with integrated support rails
- used for support, for standing up independently and for holding accessories
- continuous mirror solution possible
- 710 mm wide, 220 mm high, 151 mm deep
- 30° position of the support rails on delivery, adjustable on site
- shelf surface in opaque white synthetic material
- frame made of highly polished chrome-plated aluminium with powder coated, white design features
- handles made of pleasant to touch polyamide in HEWI colours 98 (signal white) and 99 (pure white)
- CE marking according to Directive 93/42 / EEC
- including non-corrosive HEWI fixing material



Dimensions in mm



Surfaces/Colour

chrome	98	99
--------	----	----

Technical information subject to alteration, 16th August 2019

HEWI Heinrich Wilke GmbH
Postfach 1260
D-34442 Bad Arolsen

Telefon: +49 5691 82-366
Telefax: +49 5691 82-99366
international@hewi.com
www.hewi.com

HEWI (UK) Limited
Holm Oak Barn, Beluncle Halt
Stoke Road
Hoo Kent ME3 9NT

Phone +44 1634 258 200
Fax +44 1634 250 099
info@hewi.co.uk
www.hewi.com