

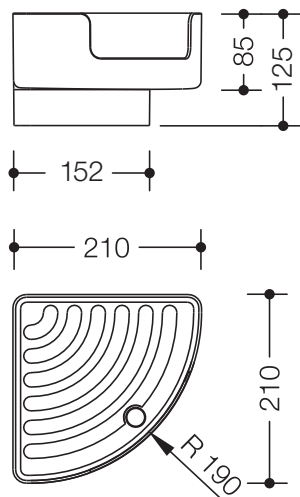
Corner shelf with holder 802.03.220

- right-angled corner shelf with rounded front, high sides and drainage feature
- used to store accessories
- opening at the front
- loading capacity 3 kg
- base with inclined draining surfaces and non-slip profile
- for wall mounting
- side lengths 210 mm, 125 mm high
- made of high-quality polyamide in selected colours
- holder highly polished chrome

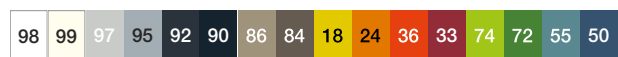
Similar picture



Dimensions in mm



Colours



Polyamide

Alternative colours



Polyamide, mat

Technical information subject to alteration, 16th August 2019

HEWI Heinrich Wilke GmbH
 Postfach 1260
 D-34442 Bad Arolsen

Telefon: +49 5691 82-366
 Telefax: +49 5691 82-99366
 international@hewi.com
 www.hewi.com

HEWI (UK) Limited
 Holm Oak Barn, Beluncle Halt
 Stoke Road
 Hoo Kent ME3 9NT

Phone +44 1634 258 200
 Fax +44 1634 250 099
 info@hewi.co.uk
 www.hewi.com