

Product data sheet
Storage box 802.03.200

HEWI

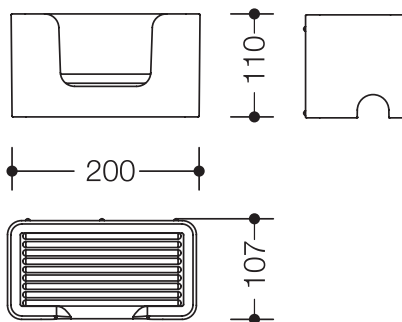


Storage box 802.03.200

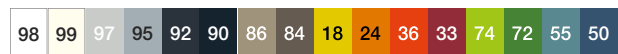
- rectangular container with high sides and water run-off
- opening at the front
- anti-theft
- non-slip storage surface
- for integration in the 33 diameter rail system
- used to store accessories
- 200 mm wide, 110 mm high, 107 mm deep
- made of high-quality polyamide according to HEWI colour chart



Dimensions in mm



Colours



Polyamide

Alternative colours



Polyamide, mat

Technical information subject to alteration, 16th August 2019

HEWI Heinrich Wilke GmbH
Postfach 1260
D-34442 Bad Arolsen

Telefon: +49 5691 82-366
Telefax: +49 5691 82-99366
international@hewi.com
www.hewi.com

HEWI (UK) Limited
Holm Oak Barn, Beluncle Halt
Stoke Road
Hoo Kent ME3 9NT

Phone +44 1634 258 200
Fax +44 1634 250 099
info@hewi.co.uk
www.hewi.com