

Product data sheet
Adjustable mirror with lighting 802.01.200R

HEWI

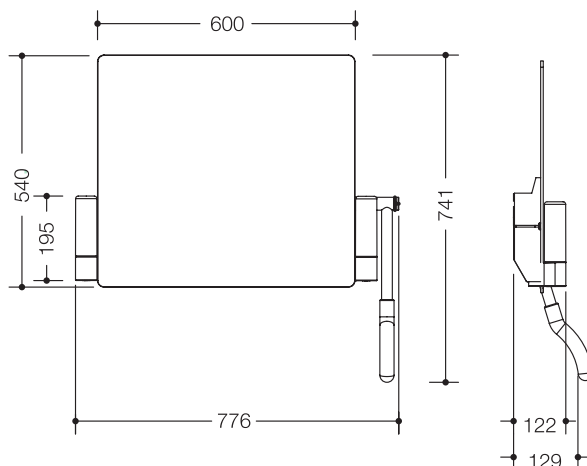


Adjustable mirror with lighting 802.01.200R

- rectangular plate glass mirror with rounded edges and, integrated splitter guard film and cylindrical lights on the side
- easy adjustment of the tilt between 0 to 28° from a seated position
- with two integrated, energy-saving compact fluorescent lamps FSD 9 W, fitting G 23
- splash proof, protection type IP 44, protection class II
- lever on right
- lever can be used in left hand and right hand position
- 776 mm wide, 741 mm high, mirror 122 mm deep, clear distance between wall and handle 129 mm
- lamp height 195 mm
- gripping rail made of highly polished chrome-plated aluminium, axle made of powder coated, matt aluminium
- with ergonomic handle made of polyamide according to HEWI colour chart
- energy efficiency class A to Regulation (EU) 874/2012
- CE marking according to EMC 2004/108/EC
- including non-corrosive HEWI fixing material



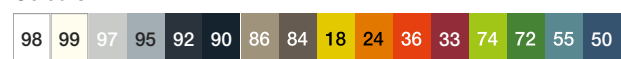
Dimensions in mm



Surfaces



Colours



Technical information subject to alteration, 16th August 2019

HEWI Heinrich Wilke GmbH
Postfach 1260
D-34442 Bad Arolsen

Telefon: +49 5691 82-366
Telefax: +49 5691 82-99366
international@hewi.com
www.hewi.com

HEWI (UK) Limited
Holm Oak Barn, Beluncle Halt
Stoke Road
Hoo Kent ME3 9NT

Phone +44 1634 258 200
Fax +44 1634 250 099
info@hewi.co.uk
www.hewi.com