

Product data sheet
Shower bench (USA) 801.51US8400

HEWI

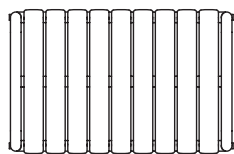
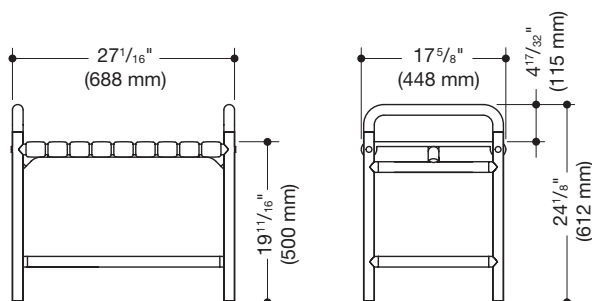
Available in USA



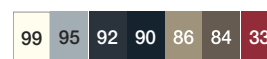
Shower bench (USA) 801.51US8400

- suitable for use in the shower
- with corrosion-protected steel core throughout
- with additional, side grab bars
- functions as a secure seat in the shower area
- maximum loading capacity 771.6 lbs (350 kg)
- for mobile use
- 27 1/16 inch (688 mm) wide, 17 5/8 inch (448 mm) deep, 19 11/16 inch (500 mm) seat height, 24 1/8 inch (612 mm) total height
- with 2 3/16 inch (55 mm) wide polyamide seat slats
- made from high-grade synthetic material in the HEWI colors 99 (pure white), 95 (stone gray), 92 (anthracite gray), 90 (jet black), 86 (sand), 84 (umber) and 33 (ruby red)

Dimensions in mm



Colours



Polyamide

Technical information subject to alteration, 16th August 2019

HEWI Heinrich Wilke GmbH
Postfach 1260
D-34442 Bad Arolsen

Telefon: +49 5691 82-366
Telefax: +49 5691 82-99366
international@hewi.com
www.hewi.com

HEWI (UK) Limited
Holm Oak Barn, Beluncle Halt
Stoke Road
Hoo Kent ME3 9NT

Phone +44 1634 258 200
Fax +44 1634 250 099
info@hewi.co.uk
www.hewi.com