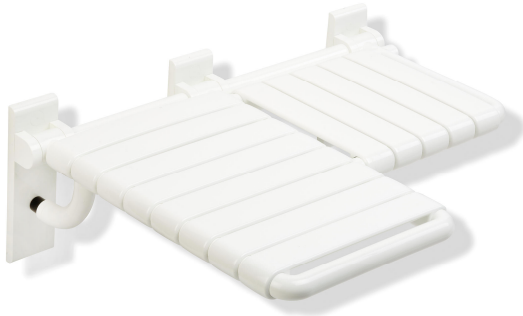


## Product data sheet

### L-shaped shower compartment seat with lift-up feature (USA) 801.51US320L

# HEWI

#### Available in USA



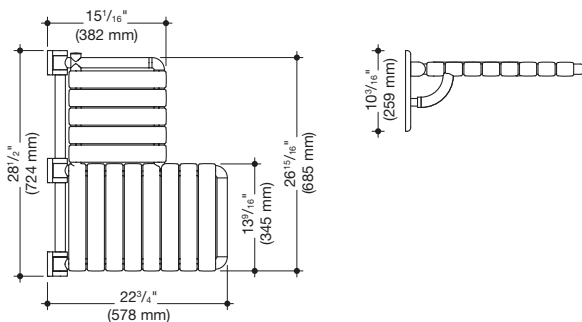
#### L-shaped shower compartment seat with lift-up feature (USA) 801.51US320L

- design made from rails and seat elements
- functions as a secure seat in the shower area
- can be folded up
- with corrosion-protected steel core throughout
- wall plate made from synthetic material with integrated steel core
- protruding seat element left
- the protruding seat element is 13 3/8 inch (340 mm) wide and 15 1/16 inch (382 mm) deep
- the L-part is 13 9/16 inch (345 mm) wide and 22 3/4 inch (578 mm) deep
- seat elements 2 3/16 inch (55 mm) wide
- maximum loading capacity 450 lbs (204 kg)
- includes fixing material for mounting to cavity walls with wood backlining of two 2 inch x 12 inch laminate or hardwood boards connected with a 1/2 inch x 12 inch plywood board
- concealed fastening
- made from high-grade synthetic material in the HEWI colors 99 (pure white), 95 (stone gray), 92 (anthracite gray), 90 (jet black), 86 (sand), 84 (umber) and 33 (ruby red)
- meets the requirements of 2010 ADA standards and ICC/ANSI A117.1-2009

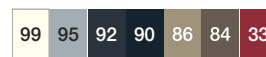


ADA compliant

#### Dimensions in mm



#### Colours



Polyamide

Technical information subject to alteration, 16th August 2019

HEWI Heinrich Wilke GmbH  
Postfach 1260  
D-34442 Bad Arolsen

Telefon: +49 5691 82-366  
Telefax: +49 5691 82-99366  
international@hewi.com  
www.hewi.com

HEWI (UK) Limited  
Holm Oak Barn, Beluncle Halt  
Stoke Road  
Hoo Kent ME3 9NT

Phone +44 1634 258 200  
Fax +44 1634 250 099  
info@hewi.co.uk  
www.hewi.com