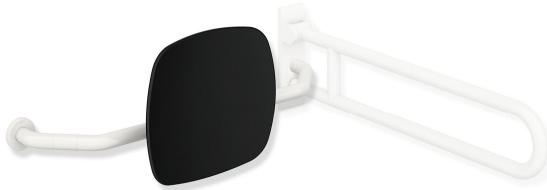


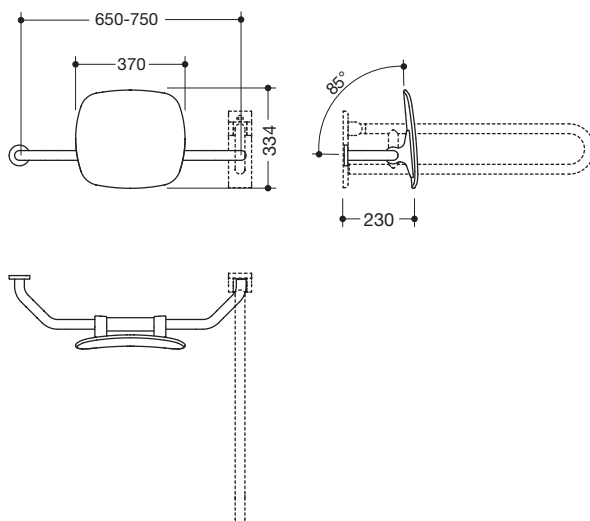
Backrest 801.51.9271L

- back rest with rods and fixing rosettes on both sides
- user-friendly wall distance of 230 mm
- serves to support the back on the WC
- left-hand version
- one-sided installation on the wall with rosettes (right)
- one-sided installation on hinged support handles or wall support handles with wall plate (left)
- adjustable on site - 650 to 750 mm wide, 230 mm deep, back rest 334 mm high and 370 mm wide, rod diameter 33 mm, rosette diameter 70 mm
- with continuous, corrosion-protected steel core
- back rest made of synthetic material in HEWI colour 98 (signal white)
- connection made of high-gloss polyamide according to HEWI colour table



Similar picture

Dimensions in mm



Colours

98	99	97	95	92	90	86	84	18	24	36	33	74	72	55	50
----	----	----	----	----	----	----	----	----	----	----	----	----	----	----	----

Connection

98

Backrest

Technical information subject to alteration, 19th January 2021

HEWI Heinrich Wilke GmbH
Postfach 1260
D-34442 Bad Arolsen

Telefon: +49 5691 82-366
Telefax: +49 5691 82-99366
international@hewi.com
www.hewi.com

HEWI (UK) Limited
Holm Oak Barn, Beluncle Halt
Stoke Road
Hoo Kent ME3 9NT

Phone +44 1634 258 200
Fax +44 1634 250 099
info@hewi.co.uk
www.hewi.com