

Product data sheet
Soap dispenser with holder 800.06.11041

HEWI

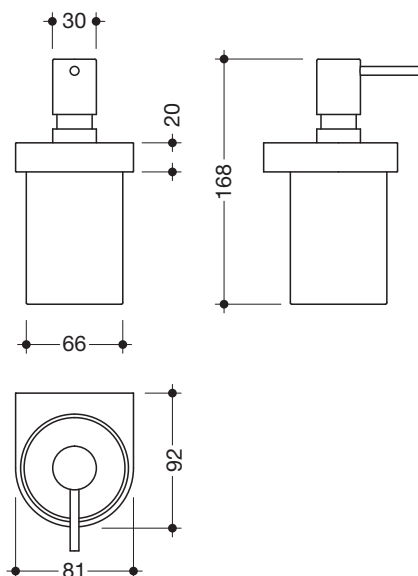


Soap dispenser with holder 800.06.11041

- ring-shaped wall-mounted bracket
- holder made of metal, high-quality chrome-plated
- holder with protective ring made of synthetic material for a secure, defined position and to protect the insert from damage
- 81 mm wide, 168 mm high and 92 mm deep
- soap dispenser made of high-quality polyamide in HEWI colour 98 (signal white) with a pump made of metal, high-quality chrome-plated
- capacity approx. 200 ml
- for wall mounting, concealed fixing
- including non-corrosive HEWI fixing material



Dimensions in mm



Surface/Material

chrome	98
Metal	Polyamide

Alternative surface/material

chrome	satined
Metal	Crystal glass

Technical information subject to alteration, 16th August 2019

HEWI Heinrich Wilke GmbH
Postfach 1260
D-34442 Bad Arolsen

Telefon: +49 5691 82-366
Telefax: +49 5691 82-99366
international@hewi.com
www.hewi.com

HEWI (UK) Limited
Holm Oak Barn, Beluncle Halt
Stoke Road
Hoo Kent ME3 9NT

Phone +44 1634 258 200
Fax +44 1634 250 099
info@hewi.co.uk
www.hewi.com