

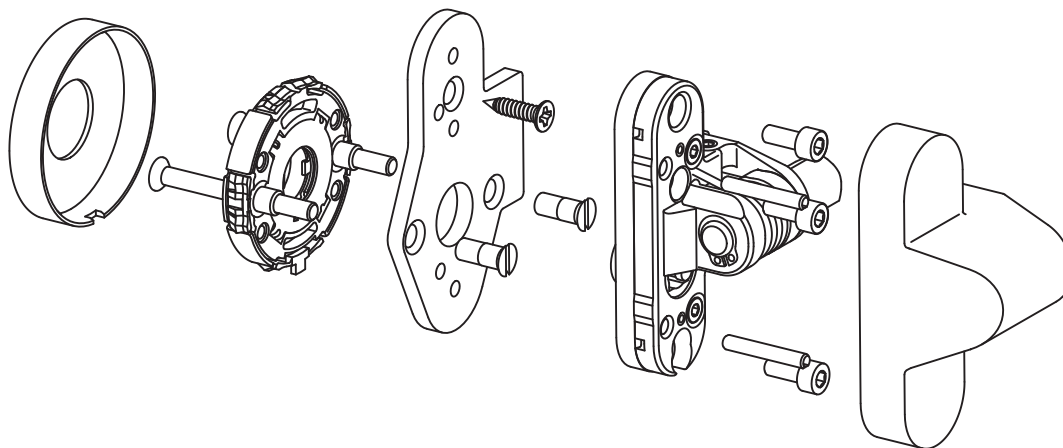


### Adapter for panic bar 507700

Stainless steel adapter, the combination of panic bars PS111XA10, PS111XA20 bzw. PS160XA10, PS111XA20 with a round rose on the opposite side door, suitable to handle rose 305.21XAHPSKN



### Dimensions in mm



Technical information subject to alteration, 16th August 2019

HEWI Heinrich Wilke GmbH  
Postfach 1260  
D-34442 Bad Arolsen

Telefon: +49 5691 82-366  
Telefax: +49 5691 82-99366  
international@hewi.com  
www.hewi.com

HEWI (UK) Limited  
Holm Oak Barn, Beluncle Halt  
Stoke Road  
Hoo Kent ME3 9NT

Phone +44 1634 258 200  
Fax +44 1634 250 099  
info@hewi.co.uk  
www.hewi.com