

Product data sheet
Toilet roll holder 477.21.100

HEWI

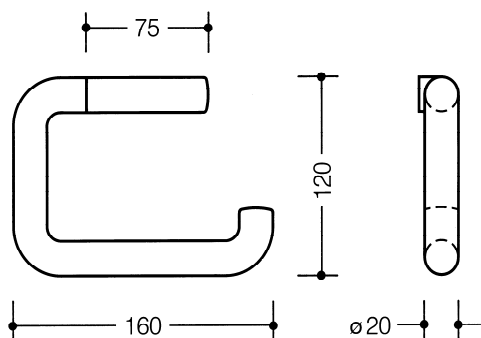


Toilet roll holder 477.21.100

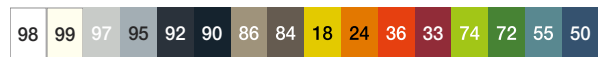
- right-angled U-shaped holder
- anti-theft protection through concealed screw fixing
- 160 mm wide, 120 mm high, rail 20 mm in diameter
- made of high-quality polyamide according to HEWI colour chart



Dimensions in mm



Colours



Polyamide

Alternative colours



Polyamide, mat

Technical information subject to alteration, 19th March 2020

HEWI Heinrich Wilke GmbH
Postfach 1260
D-34442 Bad Arolsen

Telefon: +49 5691 82-366
Telefax: +49 5691 82-99366
international@hewi.com
www.hewi.com

HEWI (UK) Limited
Holm Oak Barn, Beluncle Halt
Stoke Road
Hoo Kent ME3 9NT

Phone +44 1634 258 200
Fax +44 1634 250 099
info@hewi.co.uk
www.hewi.com