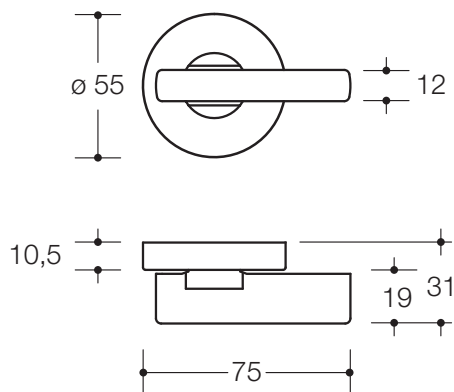


Rose with extended turn knob 306.23XANB

Rose substructure made of synthetic material, can be used for left and right-hand opening doors. WC version with emergency opening by means of square spindle or coin and occupancy disc (red/white indicator) on the outside (long stems), turnknob on the inside (short stems). Actuating bar 75 x 12 mm in asymmetric, extended version to increase the ease of use and for use in motor restriction.

Rose cap round, made of stainless steel (1.4301), diameter 55 mm, 10.5 mm high, 1.5 mm wall thickness. Surface satin finished supplied incl. screws

Dimensions in mm



Surface

XA|satin

Technical information subject to alteration, 16th August 2019

HEWI Heinrich Wilke GmbH
Postfach 1260
D-34442 Bad Arolsen

Telefon: +49 5691 82-366
Telefax: +49 5691 82-99366
international@hewi.com
www.hewi.com

HEWI (UK) Limited
Holm Oak Barn, Beluncle Halt
Stoke Road
Hoo Kent ME3 9NT

Phone +44 1634 258 200
Fax +44 1634 250 099
info@hewi.co.uk
www.hewi.com