

Standard door fitting 250PBIV01130

with flat roses according to DIN 18255 and EN 1906 and inlay made of coloured, matt polyamide, consisting of: door lever handle design 251.21PB ... made of matt polyamide, through-dyed, 21.3 mm diameter, with shank guide and grub screw M5 for additional fixing of the door lever handle on the square spindle, for optimum transfer of force to the door leaf.

Flat lever rose and escutcheons, 306.23PBVI..., round, diameter 52 mm, 4.0 mm high. Concealed, non-loosening connection: fixed rotating bearing of the lever handle and the roses, and support pin that dips into the door leaf. Fast and easy assembly by latching in preassembled assemblies.

Rose material stainless steel (1.4301) matt or polished with PVD coating,

Rose insert made of matt polyamide

Designed and tested for the projects segment, user category to EN 1906 - Grade 3

Durability: Grade 7

Door weight: No classification specified

Fire resistance: Grade 0

Safety: Grade 0

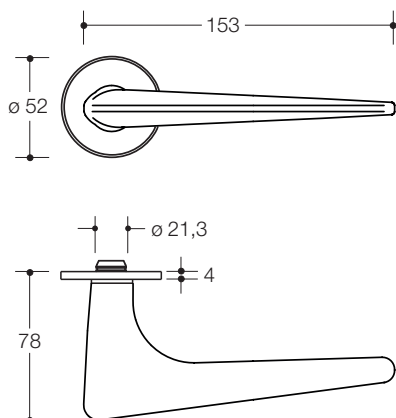
Corrosion resistance: Grade 4

Security: Grade 0

Type of operation: U



Dimensions in mm

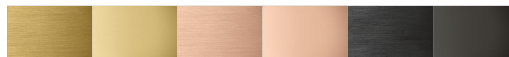


Polyamide, mat



Lever handle and rose inlays (individually selectable)

PVD roses (stainless steel, mat or polished)



Brass Copper Black chrome

Glossy surfaces will be discontinued 31.12.2020

Technical information subject to alteration, 12th August 2020

HEWI Heinrich Wilke GmbH
Postfach 1260
D-34442 Bad Arolsen

Telefon: +49 5691 82-366
Telefax: +49 5691 82-99366
international@hewi.com
www.hewi.com

HEWI (UK) Limited
Holm Oak Barn, Beluncle Halt
Stoke Road
Hoo Kent ME3 9NT

Phone +44 1634 258 200
Fax +44 1634 250 099
info@hewi.co.uk
www.hewi.com