

### Standard door fitting 180XAH01.5A0

in H-technology with roses according to DIN 18255 and EN 1906 made of stainless steel, consisting of:  
Lever handle 185X... made of stainless steel (1.4301), neck diameter 21.3 mm, 30 x 130 mm, with stepped shoulder guide and groove, with set screw M5 as additional fixing of lever and spindle, for optimal transfer of force to door leaf.

Installed by simply latching the lever handle into the base parts preassembled on the door. The latching can be released using the dismantling tool.

Roses: model 307.21X... and 308X..., 307.21X... composite synthetic material and steel rose substructure with black zinc/nickel surface for optimum corrosion protection, integrated spring-assisted restraining "hold-up" module, can be used for left or right-hand opening doors, supporting the lock for longer durability. Fixed rotating bearing of the lever handle with automatically latching all-round locking and 5 mm journal as maintenance-free plain bearing with elastic compensating area, to cancel the possible mounting inaccuracies. Concealed, non-loosening screwed joint with M5 stainless steel screw and sleeve combination as well as the pivot disappearing into the leaf.

Rose cap square, made of stainless steel (1.4301), 55 x 55 mm, 10.5 mm high, 1.5 mm wall thickness.

Surface satin finished

Designed and tested for the projects segment, user category to EN 1906 - Class 4 fitting with spindle 8 - 8.5 mm

user category: Class 4

Durability: Class 7

Door weight: No classification specified

Fire resistance: Class 0

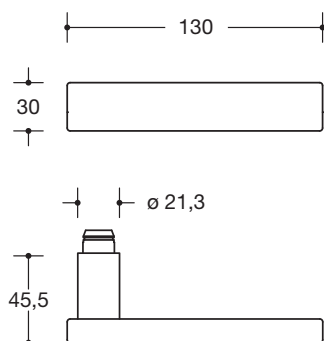
Safety: Class 1

Corrosion resistance: Class 4

Burglary protection: Class 0

Design-type: A

### Dimensions in mm



Surface

XA|satin

Technical information subject to alteration, 16th August 2019

HEWI Heinrich Wilke GmbH  
Postfach 1260  
D-34442 Bad Arolsen

Telefon: +49 5691 82-366  
Telefax: +49 5691 82-99366  
international@hewi.com  
www.hewi.com

HEWI (UK) Limited  
Holm Oak Barn, Beluncle Halt  
Stoke Road  
Hoo Kent ME3 9NT

Phone +44 1634 258 200  
Fax +44 1634 250 099  
info@hewi.co.uk  
www.hewi.com